

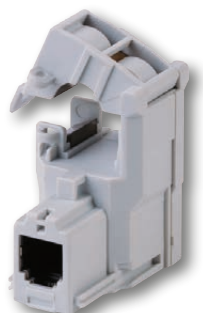


TR sensors

Split-core current sensors

used with DIRIS Digiware I, DIRIS A-40, DIRIS B, and ISOM Digiware F-60

Insulation monitoring



TR Split-core current sensors

tore_074.psd

The solution for

- > Existing applications
- > Industry
- > Building
- > Infrastructures
- > Data centers



Strong points

- > Smart sensors
- > PreciSense technology: Global precision class in accordance with the IEC 61557-12 standard.
- > Easy installation and configuration.

Integrated technologies



For more information, visit www.socomec.com

Conformity to standards

- > CEI 61557-12



- > ISO 14025



- > UL



Create your project

- > Find the best Digiware configuration: www.meter-selector.com



Function

TR current sensors **measure** the current on an electrical installation. Used with a measuring instrument in the DIRIS Digiware, DIRIS A-40, DIRIS B or ISOM Digiware F-60, they can perform accurate measurements of between 25 and 600 A, and provide access to a global class of precision. The RJ12 connection system makes it easier to connect it all up, and the integrated intelligence prevents any configuration errors.

Advantages

Smart sensors

- Sensors with an extended operational range.
- Automatic detection of size.
- Disconnection in secured load
- Rapid connection by RJ12 and identification of cables by colour coding.

PreciSense technology

- Guaranteed measurement precision in line with standard IEC 61557-12 : class 1 for overall measurements of 2 to 120% of I_n .

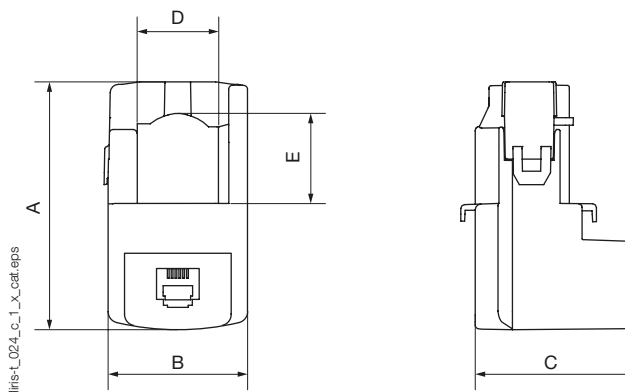
Mounting

Cable mounting



Dimensions (mm)

TR-10 / TR-14 / TR-21 / TR-32



Model	Nominal current range (A)	Actual coverage range (A)	A (mm)	B (mm)	C (mm)	D (mm)	E (mm)	Max. opening (mm)
TR-10	25 - 63	0.5 ... 75.6	44	26	28	-	-	10
TR-14	40 - 160	0.8 ... 192	67	29	28	14	15	14
TR-21	63 - 250	1.26 ... 300	65	37	43	21	23	21
TR-32	160 - 600	3.2 ... 720	86	53	47	32	33	32

Characteristics

Model	TR-10		TR-14		TR-21		TR-32	
Nominal current range I_n (A)	25 ... 63		40 ... 160		63 ... 250		160 ... 600	
Actual coverage range (A)	0.5 ... 75.6		0.8 ... 192		1.26 ... 300		3.2 ... 720	
Max. current (A)	75.6		192		300		720	
Weight (g)	74		117		211		311	
Max. voltage (phase/neutral)	300 V							
Rated withstand voltage	3 kV							
Frequency	50/60 Hz							
Intermittent overload	10 x I_n for 1 s							
Measurement category	CAT III							
Global class used with DIRIS Digiware/A-40/B-10/B30	Class 1	Class 0.5	Class 1	Class 0.5	Class 1	Class 0.5	Class 1	Class 0.5
Protection degree	IP20 / IK07							
Operating temperature range	-10 to +70°C						-10°...+55 °C	
Storage temperature	-25 to +85 °C							
Relative humidity	95% RH non-condensing							
Altitude	< 2000 m							
Connection	Socomec RJ12 cable							

References

Model	Nominal current range (A)	Actual coverage range (A)	Diameter (mm)	Reference
TR-10	25 - 63	0.5 ... 75	10	4829 0555
TR-14	40 - 160	0.8 ... 192	14	4829 0556
TR-21	63 - 250	1.26 ... 300	21	4829 0557
TR-32	160 - 600	3.2 - 720	32	4829 0558

RJ12 connection cables	Cable length (m)								
	0.1	0.2	0.3	0.5	1	2	5	10	50 m reel + 100 connectors
Number of cables	Reference	Reference	Reference	Reference	Reference	Reference	Reference	Reference	Reference
1							4829 0602	4829 0603	4829 0601
3	4829 0580	4829 0581	4829 0582	4829 0595	4829 0583	4829 0584			
4				4829 0596	4829 0588	4829 0589			
6	4829 0590	4829 0591	4829 0592	4829 0597	4829 0593	4829 0594			