



ATyS C20/C30/C40

Control relays

Transfer switches



ATyS C20 controller

ATYS_451A



ATyS C30 controller

ATYS_448_B



ATyS C40 controller

ATYS_589_C

The solution for

- Power and control separation
- Genset/Genset applications



Strong points

- Auxiliary power supply
- Modular device
- Extended compatibility of use

Conformity to standards

- IEC 61010-1
- IEC 61000-4-x
- IEC 60068-2-x



Function

ATyS C20/C30/C40 are modular control relays. They ensure the automatic control of remotely controlled transfer switches, ATyS, ATyS S and ATyS M, as well as contactors, circuit breakers or other motorised switches.

General characteristics

ATyS C20/C30

- Inputs for auxiliary contact position information.
- 3U measurement on network 1 and 1U on network 2.
- 2 programmable inputs for the following functions: test on/off load, manual retransfer, start/stop transfer cycle.
- Up to 2 programmable outputs for the following functions: source availability information and circuit breaker control.
- 1 relay output for genset control.
- D10 or D20 remote interfaces are available for transferring data or control to the front panel (only on C30 version).

ATyS C40

- Dual genset controller with a redundant genset application cycle (basic cycle).
- 1U and F measurement on each source - genset 1 & genset 2.
- 3 programmable inputs for the following functions: test on/off load, manual retransfer, start/stop transfer cycle.
- 1 programmable output for the following functions : source availability information and circuit breaker control.
- 2 genset control contacts (Gen1 & Gen2).

Advantages

Auxiliary power supply

Two versions of the ATyS C30 are available. One version with an AC supply via the measurement inputs and another with a DC auxiliary supply.

Modular device

The ATyS C20, C30 and C40 are modular products (6 modules, 105 mm wide) which can be DIN-rail mounted.

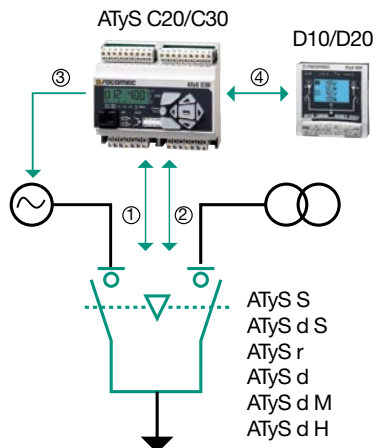
Extended compatibility of use

The product is used with Socomec transfer switches, or those using identical technology. It is also compatible with contactor and circuit breaker technologies.

Configurations

ATyS C20/C30:

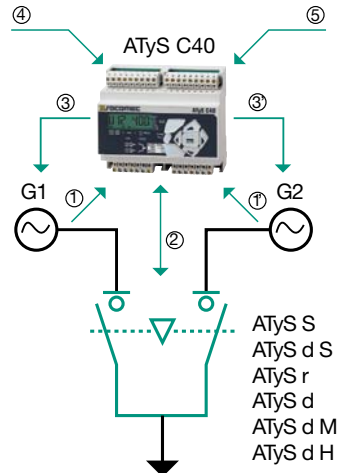
Mains/mains and mains/genset applications



1. Measurement and power supply
2. Control and position information feedback
3. Genset start / stop control
4. ATyS display/interface connection (only on C30 version)

ATyS C40:

Genset/genset applications



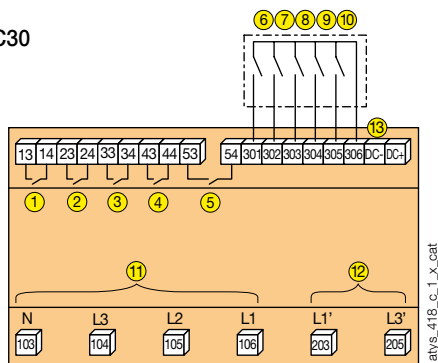
- 1 and 1'. 1U and F measurement for each genset
2. Control and position information feedback
- 3 and 3'. Genset "start/stop" control
4. External "start/stop" command for basic cycle
5. DC power supply

Electrical characteristics

Supplied from measurement circuit	110 ... 400 VAC
DC power supply	9 ... 30 VDC
Measurement range	110 ... 400 VAC / ± 10 %
Frequency	50/60 Hz
Accuracy	± 1 %

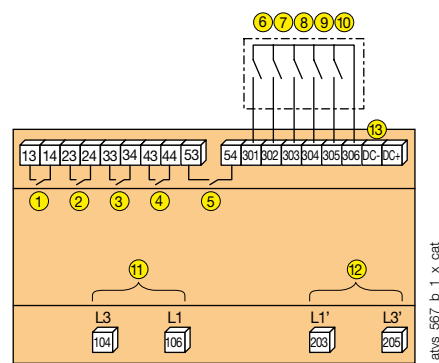
Terminals

ATyS C20/C30



1. Genset start / stop control
2. Position 1: power control
3. Position 2: power control
4. O1: programmable output
5. O2: programmable output
6. AC1: auxiliary contact position 1
7. AC0: auxiliary contact position 0
8. AC2: auxiliary contact position 2
9. I1: programmable input
10. I2: programmable input
11. Source 1 : 3 U network measurement and power supply
12. Source 2 : 1 U network measurement and power supply
13. not used

ATyS C40



1. Genset G1 start / stop control
2. Position 1: power control
3. Position 2: power control
4. O1: programmable output
5. Genset G2 start / stop control
6. AC1: auxiliary contact position 1
7. I3: programmable input
8. AC2: auxiliary contact position 2
9. I1: programmable input
10. I2: programmable input
11. Genset G1: 1U measurement
12. Genset G2: 1U measurement
13. DC power supply 9-30 VDC

References

Type	ATyS C20 Reference	ATyS C30 Reference	ATyS C40 Reference
Supplied from measurement circuit	1599 3020G	1599 3030G	
DC power supply			1599 3040G