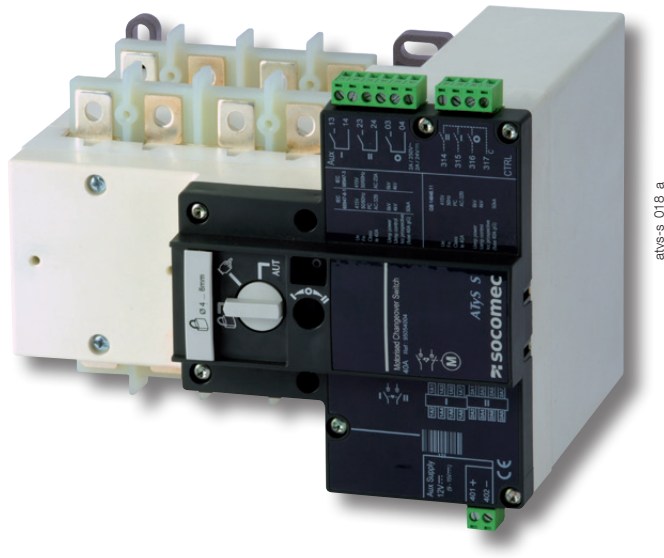




# ATyS S - ATyS d S

Remotely operated transfer switching equipment  
from 40 to 125 A

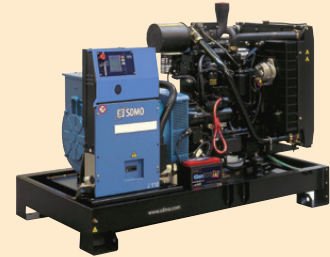
Transfer switches



atys-s\_018\_a

## The solution for

- > Genset < 90 kVA
- > Heating systems
- > Climate control
- > Ventilation systems
- > Telecommunications



## Strong points

- > Extensive power supply range
- > Safety and reliability
- > Easy integration
- > Simplified maintenance
- > ATyS d S: Dual power supply

## Conformity to standards

- > IEC 60947-6-1
- > IS/IEC 60947-3
- > GB 14048-11



## Approvals and certifications



## Function

ATyS S products are 4 pole remotely operated transfer switches with positive break indication. They enable the on-load transfer of two three-phase supplies via remote volt-free contacts, from either an external automatic controller, using pulse logic, or a switch. They are intended for use in low voltage power supply systems where a brief interruption of the load supply is acceptable during transfer.

## Advantages

### Extensive power supply range

The ATyS S is available in four supply versions, each with a broad range (+/-30%). The four versions are:

- 12 VDC power supply.
- 24/48 VDC power supply.
- 230 VAC single power supply.
- 2 x 230 VAC dual power supply.

### Safety and reliability

ATyS S products use stable position technology, ensuring constant pressure on the contacts and preventing premature aging. In addition, they do not require a power supply to maintain position, thus protecting their loads from voltage fluctuations.

### Easy integration

ATyS S products can be easily installed inside enclosures. Their design, and in particular their compact size, enables integration within most 200 mm deep enclosures.

### Simplified maintenance

Maintenance can be carried out easily under load, with manual operation still available. The control and motorisation section can be replaced simply by removing 4 screws, with no work required on the installation cabling.

### ATyS d S: Dual power supply

In addition to the functions offered by the ATyS S, the ATyS d S incorporates supply redundancy without the need for additional wiring. This is obtained by integrating a double supply (2 independent supplies) directly within the product.

## References

### ATyS S - ATyS d S

Rating (A)	No. of poles	Power supply	ATyS S - ATyS d S + bridging bars	Terminal shrouds	Voltage tap	Terminal retainer	DIN rail
40 A	4 P	12 VDC	9505 4004SL	Source side 2 pieces 9594 4012A  Load side 2 pieces 9594 9012A	9599 4001G	2 pieces 9599 4003G	4 modules 9599 4002G
	4 P	230 VAC	9503 4004SL				
	4 P	2 x 230 VAC	9513 4004SL				
63 A	4 P	12 VDC	9505 4006SL				
	4 P	230 VAC	9503 4006SL				
	4 P	2 x 230 VAC	9513 4006SL				
80 A	4 P	12 VDC	9505 4008SL				
	4 P	230 VAC	9503 4006SL				
	4 P	2 x 230 VAC	9513 4006SL				
100 A	4 P	12 VDC	9505 4010SL				
	4 P	230 VAC	9503 4006SL				
	4 P	2 x 230 VAC	9513 4006SL				
125 A	4 P	12 VDC	9505 4012SL				
	4 P	230 VAC	9503 4012SL				
	4 P	2 x 230 VAC	9513 4012SL				

## Accessories

### Voltage tap

#### Use

Enables the required power supply for ATyS S 230 VAC and ATyS d S products to be tapped directly from the product's incoming power terminals. Can also be utilised in applications without neutral, to provide 400 VAC to the autotransformer.

Rating (A)	Reference
40 ... 125	9599 4001G



atys-s\_022\_a

### Terminal retainer

#### Use

These clips have a dual function: - to prevent direct access to the power supply and control terminals and - to secure these connector terminals.

Rating (A)	Pack	Reference
40 ... 125	2 pieces	9599 4003G



atys-s\_021\_a

### Terminal shrouds

#### Use

IP2X protection against direct contact with terminals or connecting parts.

#### Terminal shrouds for the source side

Rating (A)	Pack	Reference
40 ... 125	2 pieces	9594 4012A

#### Terminal shrouds for the load side

Rating (A)	Pack	Reference
40 ... 125	2 pieces	9594 9012A



atys-s\_020\_a

atys-s\_020\_a

### Autotransformer 400/230 VAC

#### Use

For applications without neutral, this autotransformer provides the 230 VAC required to power these ATyS products.

#### Dimensions

75 x 80 x 72 mm

Rating (A)	Reference
40 ... 125	9599 4004G

# ATyS S - ATyS d S

Remotely operated transfer switching equipment  
from 40 to 125 A

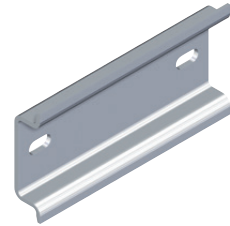
## Accessories (continued)

### DIN rail

#### Use

This 4-module DIN rail can be installed directly on the front of the ATyS S and can be utilised, for example, for the installation of a surge protection device.

Rating (A)	Reference
40 ... 125	9599 <b>4002G</b>



access\_417\_a\_1\_cat

### Manual emergency operation handle

#### Use

This handle can be used on the product whether the motor unit is mounted or not.

Rating (A)	Reference
40 ... 125	9599 <b>5012G</b>



poign\_058\_a\_1\_x\_cat

### Connector kit

#### Use

This kit, which includes all of the ATyS S connectors, can be ordered to replace any lost or broken terminal connectors.

Rating (A)	Reference
40 ... 125	9509 <b>0002G</b>



access\_416\_a\_1\_cat

## Characteristics according to IEC 60947-3 and IEC 60947-6-1

### 40 to 125 A

<b>Thermal current <math>I_{th}</math> at 40°C</b>	<b>40 A</b>	<b>63 A</b>	<b>80 A</b>	<b>100 A</b>	<b>125 A</b>	
Rated insulation voltage $U_i$ (V) (power circuit)	800	800	800	800	800	
Rated impulse withstand voltage $U_{imp}$ (kV) (power circuit)	6	6	6	6	6	
Rated insulation voltage $U_i$ (V) (control circuit)	300	300	300	300	300	
Rated impulse withstand voltage $U_{imp}$ (kV) (control circuit)	4	4	4	4	4	
<b>Rated operational currents <math>I_e</math> (A) according to IEC 60947-6-1</b>						
<b>Rated voltage</b>	<b>Utilisation category</b>	<b>A/B</b>	<b>A/B</b>	<b>A/B</b>	<b>A/B</b>	
415 VAC	AC-31 B	40	63	80	100	125
415 VAC	AC-32 B	40	63	80	80	80
<b>Rated operational currents <math>I_e</math> (A) according to IEC 60947-3</b>						
<b>Rated voltage</b>	<b>Utilisation category</b>	<b>A/B</b>	<b>A/B</b>	<b>A/B</b>	<b>A/B</b>	
415 VAC	AC-20 A / AC-20 B	40/40	63/63	80/80	100/100	125/125
415 VAC	AC-21 A / AC-21 B	40/40	63/63	80/80	100/100	100/125
415 VAC	AC-22 A / AC-22 B	40/40	63/63	80/80	100/100	100/100
415 VAC	AC-23 A / AC-23 B	-/40	-/63	-/63	-/63	-/63
<b>Fuse protected short-circuit withstand (kA rms prospective)</b>						
Prospective short-circuit current (kA rms)	50	50	50	25	15	
Associated fuse rating (A)	40	63	80	100	125	
<b>Short-circuit capacity as per IEC 60947-6-1</b>						
Rated short-time withstand current 0.03 s. (kA)	5	5	5	5	-	
Rated short-circuit making capacity $I_{cm}$ (kA peak)	7.65	7.65	7.65	7.65	-	
<b>Short-circuit capacity as per IEC 60947-3 (without protection)</b>						
Rated short-time withstand current 1 s. $I_{cw}$ (kA rms)	2.5	2.5	2.5	2.5	2.5	
Rated short-time withstand current 0.3s $I_{cw}$ (kA rms) <sup>(1)</sup>	3.5	3.5	3.5	3.5	3.5	
Rated peak withstand current (kA peak)	12	12	12	12	12	
<b>Connection</b>						
Maximum Cu cable cross-section (mm <sup>2</sup> )	50	50	50	50	50	
Tightening torque mini / maxi (Nm)	1.2/3	1.2/3	1.2/3	1.2/3	1.2/3	
<b>Switching time (Standard setting)</b>						
I - 0 or II - 0 (ms)	500	500	500	500	500	
I - II or II - I (ms)	1000	1000	1000	1000	1000	
Duration of "electrical blackout" I - II (ms) minimum	500	500	500	500	500	
<b>Power supply</b>						
Power supply 12 VDC min / max (VDC)	9/15	9/15	9/15	9/15	9/15	
Power supply 230 VAC min / max (VAC)	160/310	160/310	160/310	160/310	160/310	
<b>Control supply power demand</b>						
Power supply 12 VDC inrush / nominal (VA)	200/40	200/40	200/40	200/40	200/40	
Power supply 230 VAC inrush / nominal (VA)	200/40	200/40	200/40	200/40	200/40	
<b>Mechanical characteristics</b>						
Durability (number of operating cycles)	25 000	25 000	25 000	25 000	25 000	
Weight ATyS S and ATyS d S 4 P (kg)	3	3	3	3	3	

<sup>(1)</sup> Value for coordination with any circuit breaker that ensures tripping in less than 0.3s. For coordination with specific circuit-breaker references, higher short-circuit current values are available. Please consult us.

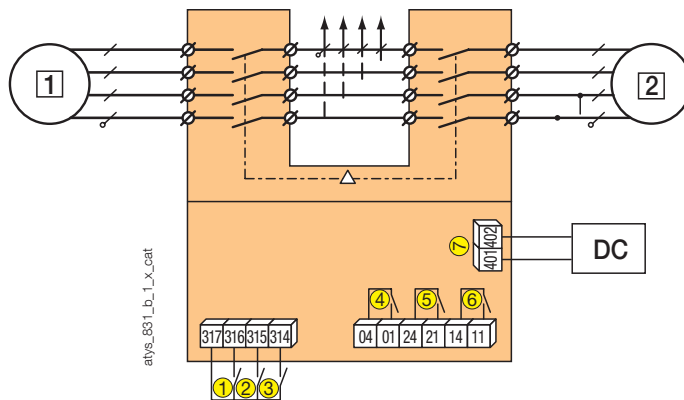
# ATyS S - ATyS d S

Remotely operated transfer switching equipment

from 40 to 125 A

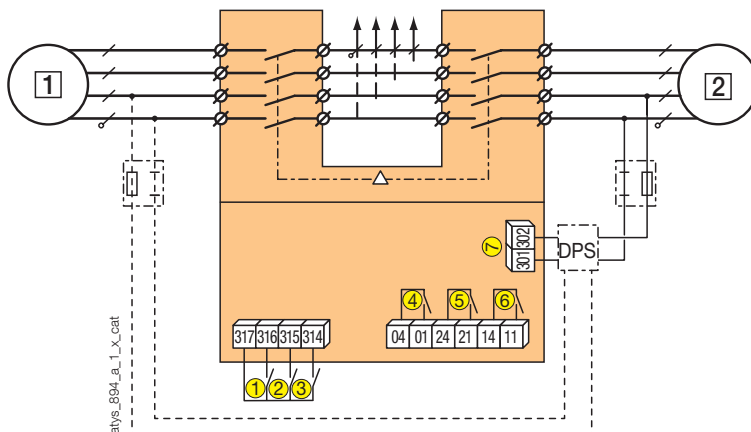
## Terminals and connections

### ATyS S DC version



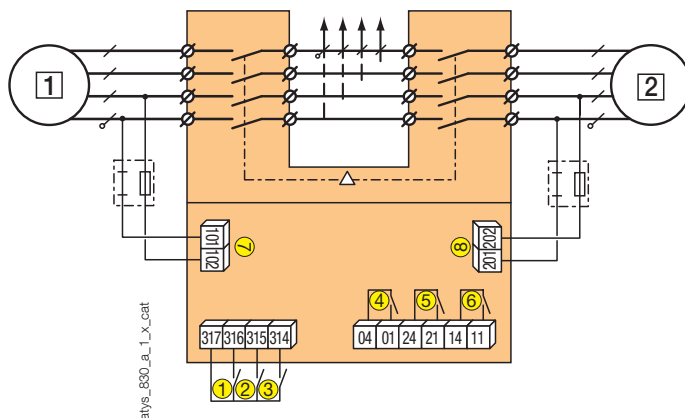
- 1** preferred source
- 2** alternate source
- 1: position 0 control
- 2: position I control
- 3: position II control
- 4: auxiliary contact, closed when the switch is in position 0
- 5: auxiliary contact, closed when the switch is in position II
- 6: auxiliary contact, closed when the switch is in position I
- 7: power supply :12 VDC (9-15 VDC).

### ATyS S: 230 VAC



- 1** preferred source
- 2** alternate source
- 1: position 0 control
- 2: position I control
- 3: position II control
- 4: auxiliary contact, closed when the switch is in position 0
- 5: auxiliary contact, closed when the switch is in position II
- 6: auxiliary contact, closed when the switch is in position I
- 7: power supply: 230 VAC (160-310 VAC)

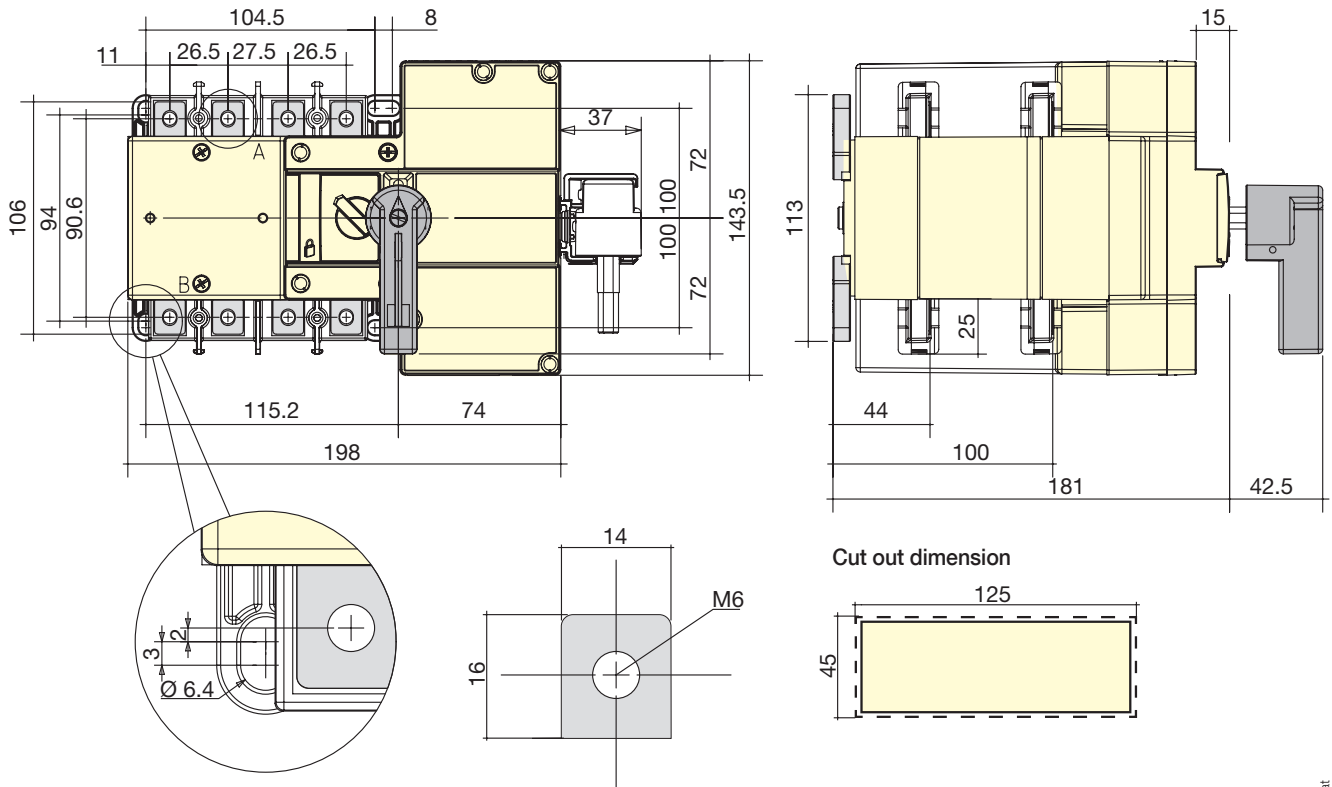
### ATyS d S: 2 x 230 VAC



- 1** preferred source
- 2** alternate source
- 1: position 0 control
- 2: position I control
- 3: position II control
- 4: auxiliary contact, closed when the switch is in position 0
- 5: auxiliary contact, closed when the switch is in position II
- 6: auxiliary contact, closed when the switch is in position I
- 7: power supply I: 230 VAC (160-310 VAC)
- 8: power supply II: 230 VAC (160-310 VAC)

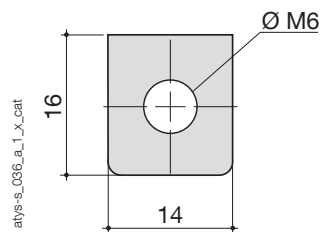
Includes a built-in dual power supply.

Dimensions



atys-s\_024\_a\_1\_x\_cat

Connection terminal



atys-s\_036\_a\_1\_x\_cat